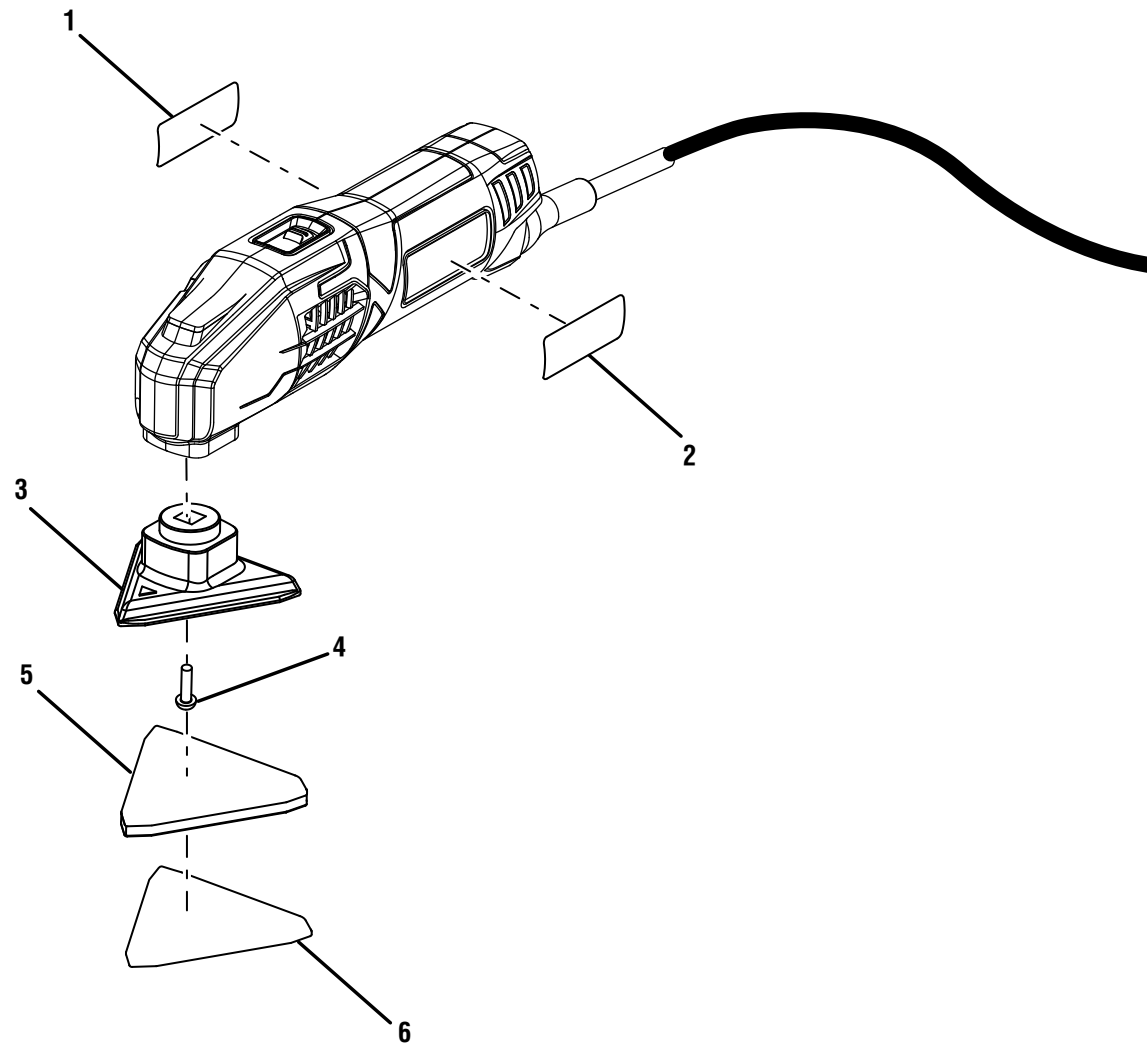


**RYOBI  
DETAIL SANDER  
MODEL NO. DS1200  
REPAIR SHEET**

RYOBI DETAIL SANDER – MODEL DS1200



**RYOBI DETAIL SANDER – MODEL DS1200**

**PARTS LIST**

<b>KEY NO.</b>	<b>PART NUMBER</b>	<b>DESCRIPTION</b>	<b>QTY</b>
1	941121481	Data Label .....	1
2	941002196	Logo Label .....	1
3	529243001	Sanding Foot.....	1
4	660414008	Screw (M4 x 16 mm, T20 Torx Pan Hd.) .....	1
5	560716001	Rubber Pad .....	1
6	203934001	***Sandpaper Pack.....	1
	<b>Not Shown:</b>		
	991000496	Operator's Manual	
	11-5-15		
	(Rev:02)		

**NOTE :** The assembly shown represents an important part of the double insulated system. To avoid the possibility of alteration or damage to the System, service should be performed by your nearest Ryobi retailer. For the service center nearest you call 1-800-525-2579.

\*\*\* Sanding discs in assorted grits for sanding both wood and metal may be obtained from your nearest Ryobi retailer.